

INSTALLATION INSTRUCTIONS & USER MANUAL for STEP 180 NOOK



HIDEAWAY SOLUTIONS

www.hideawaysolutions.com

(401) 420-2042

WARNINGS:

- Never use step unit as a portable step stool.
- Only use step unit when properly attached to the wall
- Always use designated handle area to operate.
- Keep hands free of pinch zones when operating step unit.
- Always check surroundings when lowering step unit.
- Always assist children when operating & using step unit.

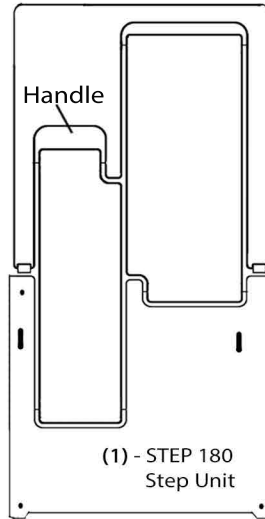
NOTES:

- The following instructions contain information on how to install and use the STEP 180 NOOK step unit.
- Save these instructions for future use and reference.
- Improper installation voids the warranty. If you have any problems with Step 180 NOOK unit please contact Hideaway Solutions directly.
- One year limited warranty - Details on Pg. 4

Parts:



(1) - Mounting Block



(1) - STEP 180 Step Unit

Tools Needed:

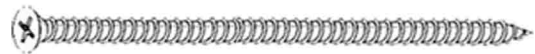
- Pencil
- Drill
- Tape Measure
- #2 Phillips head bit
- 1/4" Drill bit
- Level



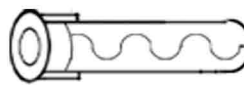
(2) - 1 3/4" Machine Screws



(1) - 1 5/8" Screw



(6) - 2 1/2" Screw



(4) - Drywall Anchor



(8) - 1/4" Spacers

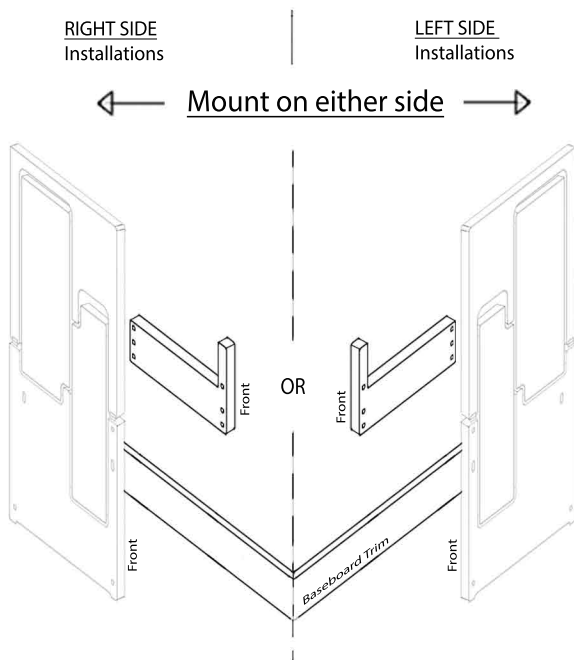


(4) - 1/16" Spacers

Hardware:
(Actual Size)

STEP 1. - Aligning Mounting Block

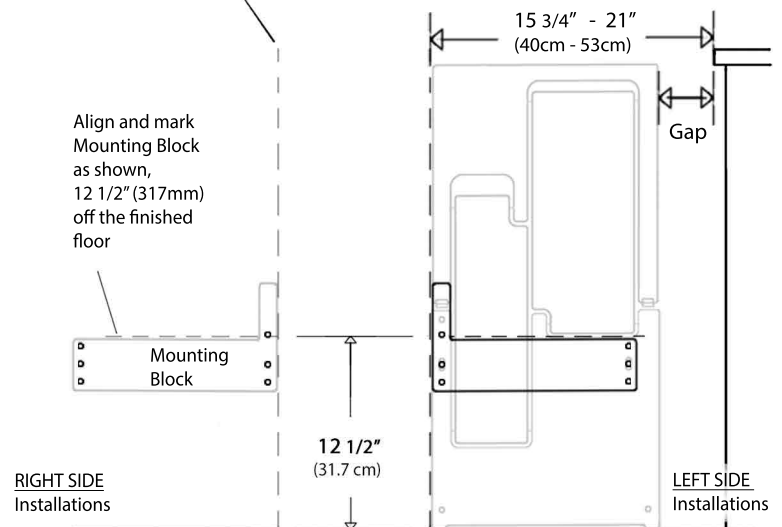
Part 1: - Choose which side to install



Part 2: - Measure for attaching Mounting Block

Front of Mounting Block aligns with the front of Step Unit

NOTE: A 4" or 5" (11.5cm) gap can be helpful for knee clearance for taller people when mounting in front of a vertical structure. - No Gap is necessary if installing for children.

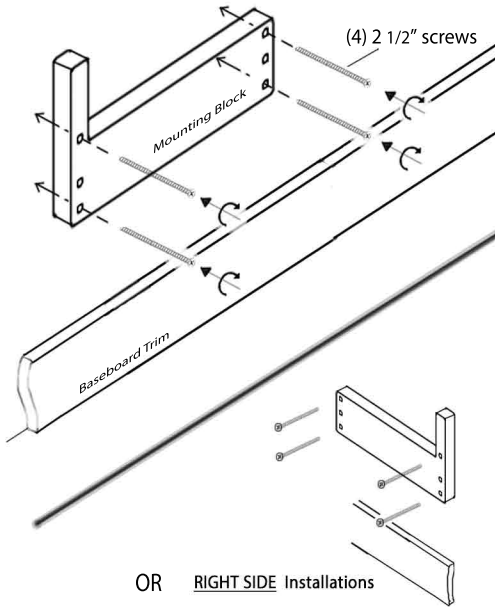


STEP 2. - Attaching Mounting Block

PART 1:

Use (4) 2 1/2" screws to attach the Mounting Block to the wall. (in 4 corner mounting holes)
If securely attaching to blocked framing or plywood move on to Step 3.

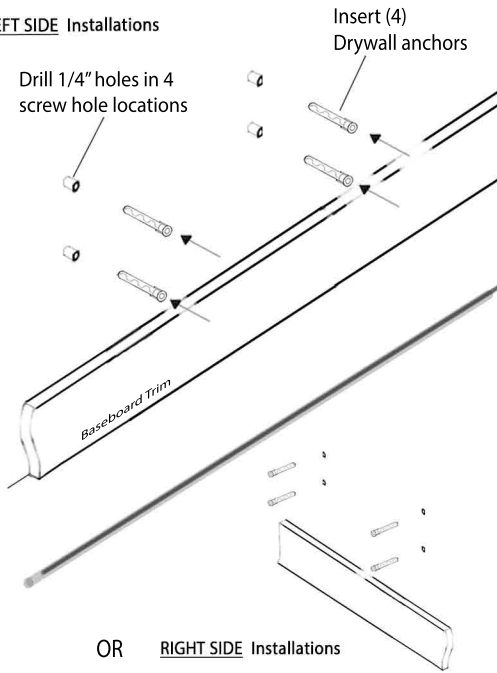
LEFT SIDE Installations



PART 2: cont'd for Drywall installation:

- Remove screws and Mounting Block
- Drill 1/4" holes in the exact same locations left by the screw holes
- Insert Drywall Anchors

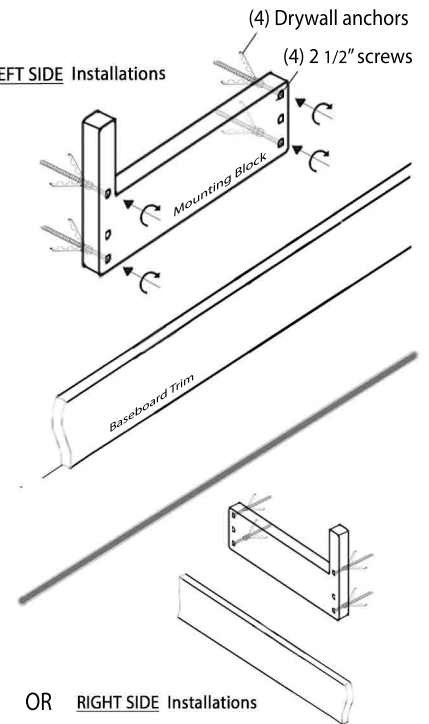
LEFT SIDE Installations



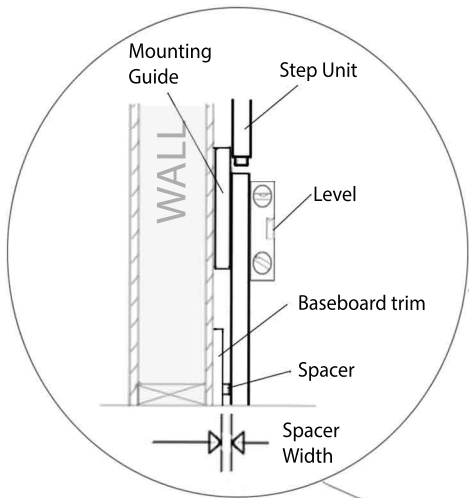
PART 3: cont'd for Drywall installation:

- Re-install Mounting Block with 2 1/2" screws
- Make sure Mounting Block is securely attached to the wall.

LEFT SIDE Installations



STEP 3. - Attaching Step Unit



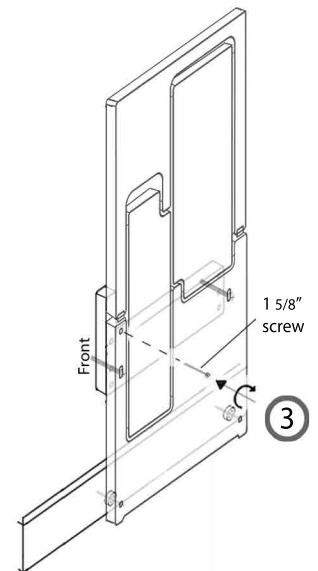
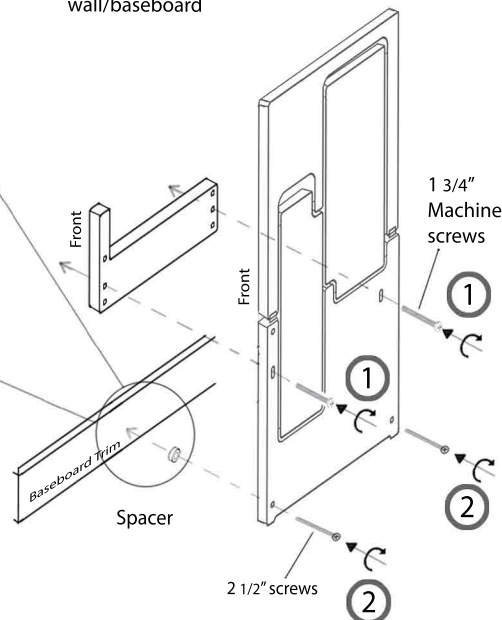
- 1 - Use 1 3/4" Machine screw to attach the Step Unit to Mounting Block through the elongated holes
- Level Step Unit against wall
- 2 - Use the Guide below to use the spacer(s) that best fits the gap between the baseboard and Step Unit
- Use (2) 2 1/2" screws to attach the bottom of the step unit through the spacers and into the wall/baseboard

- 3 - Make sure the bottom of the Step Unit is flat on the floor
- After all the screws are screwed in tight, use the 1 5/8" screw in the last hole shown to lock the unit to the mounting guide.

Warning: Check to Make sure the Step Unit is Securely attached to the wall Before Use.

Spacer Width for between baseboard and Step unit

| Baseboard thickness | # | Size of Spacer |
|-----------------------------------|---|-----------------------|
| No Baseboard | 4 | 1/4" spacer per side |
| 1/2" Baseboard | 2 | 1/4" Spacers per side |
| 3/4" Baseboard | 1 | 1/4" Spacer per side |
| Minor adjustments = 1/16" Spacers | | |





- Do not attempt to use Step Unit as a portable step stool.



- Make sure Step Unit is installed correctly (Follow Installation Manual) before using.



- Assist children when using Step Unit.
- Be aware of surroundings when lowering.



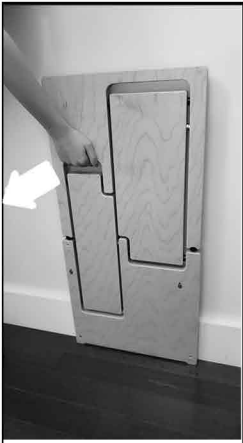
- To avoid Pinch Points, lower and raise Step Unit using the cutout Handle.



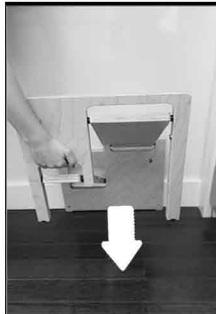
Weight Limit: 200 lbs

STEP 180 USER GUIDE

To Lower:



1. Grab the handle cutout. Pull handle horizontally out with enough force to release the steps from the magnetic latch.



2. Lower until the feet of the Step Unit touch the floor and the steps are in their horizontal position.



Read complete User Guide before use.

Note: Before Using this step unit, ensure the unit has been properly installed by following the STEP 180 installation manual.

To Use:

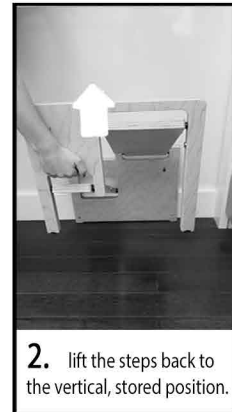


Step Up

To Raise:



1. After stepping down from the Step Unit, returned the stepunit to its vertical position by grabbing the outside of the handle cutout...



2. lift the steps back to the vertical, stored position.



3. The magnetic latch will automatically engage.

SAFETY OPERATIONS and WARNINGS

To Lower:



YES

The Step Unit has been design to operate by hand using the handle cutout as shown.



STOP Do not open Step unit from the top Anti-Flip feature has been designed to catch the Step Unit if it folds the wrong way when lowering
- Never force the Step Unit down in this position. Return the Step Unit back to the stored position. for correct deployment. with handle

To Raise:



YES

Use the Handle cutout to raise the Step Unit back to the stored position.

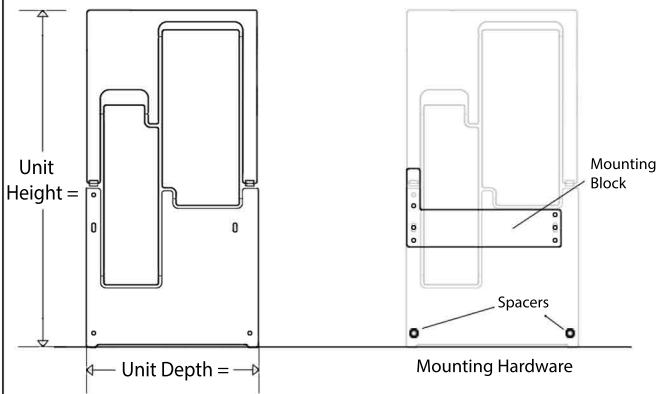


STOP Pinch Point!!!
Do Not raise Step Unit by picking up the legs behind handle.

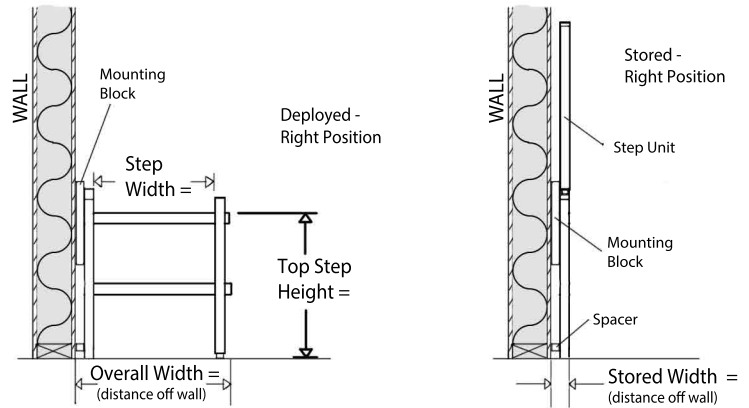
STEP 180 NOOK - SPECIFICATIONS

MODEL SIZE: Height: 32" (813 mm) Depth: 15 9/16" (395 mm)

SIDE VIEW - Closed Position



FRONT VIEW - Deployed and Stored Positions

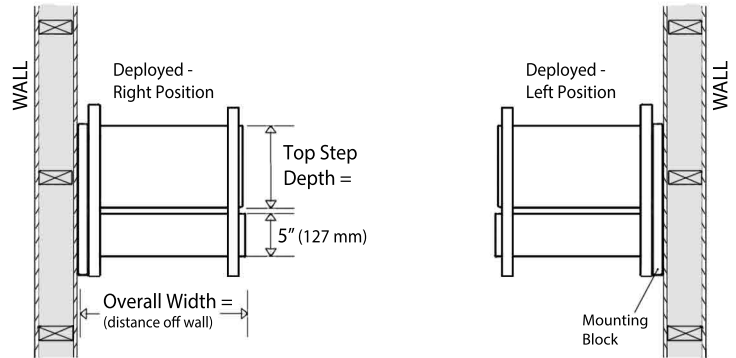


STEP 180 NOOK dimensions

Unit Dimensions:

| | |
|---|--------------------------------------|
| Height | 32" (813 mm) |
| Unit Depth | 15 9/16" (395 mm) |
| Stored Width (Stored Distance Off Wall) | 2" (51 mm) |
| Overall Width (deployed) | 17 1/2" (444 mm) |
| Step Width (Usable) | 14 1/4" (362 mm) |
| Top Step Height | 14 3/4" (375 mm) |
| Top Step Depth | 7" (178mm) |
| Weight (Step Unit) | 12 lbs (5.4 kg) |
| Weight Limit (Duty Rating) | 200 lbs (90.7 kg) |
| Country of Origin | Designed and Manufactured in the USA |

TOP VIEW - Mount on Right side or Left side of wall



WARRANTY - STEP 180 NOOK Wall Step Unit

Contact Information



Hideaway Solutions
P.O. Box 923
Little Compton, RI 02837

www.hideawaysolutions.com
Phone 401-420-2042

What The Warranty Covers

Our Limited Warranty Guarantees Our Products To Be Free From Defects In Material And Craftsmanship. Any Concerns With The Step 180 Should Be Addressed Immediately.

Warranty Period

The Limited Warranty Coverage Is One Year From Date Of Purchase.

What Hideaway Solutions Will Do To Correct Problems

In The Event Of Manufacturing Defects, Hideaway Solutions Will Repair Or Replace The Step Unit.

What The Warranty Does Not Cover

We Do Not Cover

- Failure To follow Installation Guide Correctly (Included With Step Unit)
- Wear And Tear On Original Wood Finish
- Inadequate Care, Abuse, Misuse Or Abnormal Use
- Accidents Due To Improper Use Of Product
- Damage Due To Environmental Or Natural Elements (Flood or Fire, etc.)
- Failure To Follow User Guide (Included With Step Unit)



- Do not attempt to use Step Unit as a portable step stool.



- Make sure Step Unit is installed correctly (Follow Installation Manual) before using.



- Assist children when using Step Unit.
- Be aware of surroundings when lowering.



- To avoid Pinch Points, lower and raise Step Unit using the cutout Handle.



Weight Limit:
200 lbs