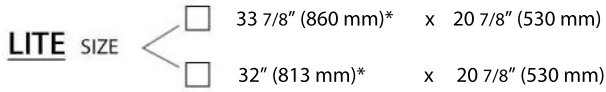


INSTALLATION INSTRUCTIONS

STEP 180 LITE



HIDEAWAY SOLUTIONS
 www.hideawaysolutions.com
 (401) 420-2042



*Touch-to-Open option adds 1/2" (12.5mm) to total installation height.



WARNINGS:

- Never use step unit as a portable step stool.
- Only use step unit after properly installed within the mounting guide & lower guide pads.
- Mounting guide requires attachment to a substantial non-moving object.
- Always use designated handle area to operate.
- Keep hands free of pinch zones when operating step unit.
- Always check surroundings when lowering step unit.
- Always assist children when operating and using step unit.

NOTES:

- The following instructions contain information on how to install and use the STEP 180 LITE step unit.
- The STEP 180 LITE has been designed to be used between two base cabinets or between a base cabinet and a rigid end panel.
- See "Installation Options" for more details and diagrams.
- Save these instructions for future use and reference.
- Improper installation voids the warranty. If you have any problems with Step 180 LITE unit please contact Hideaway Solutions directly.
- One year limited warranty - Details on Pg. 7

Parts:

(1) - STEP 180 LITE Step Unit

Handle

(1) - Toe Kick Extension

Optional:

OR

(1) - Mounting Guide

(1) - Mounting Guide w/ touch to open

(2) - 4" Machine Screws

(2) - Lock Washers

(2) - Wingnuts

(2) - Spacer/Shims

(4) - 5/8" Flat Head Screws

(2) - Spacers

(2) - 2" Screw

(1) - Adjustable Stop

(2) - Guide Pads

(1) - Face Panel Bumper

Complete The Following Installation Instructions Using:

-----	Pencil	Tape Measure	-----
-----	Drill	Carpenter Square and/or Level	-----
-----	#2 Phillips head bit	Wood Glue	-----
-----	Long Drill bit size 3/16"	Nail gun and/or Tape	-----

Guidelines:

- (1) - Step unit is designed to be attached between 2 base cabinets or a base cabinet and end panel.
NOTE: Two substantial & securely attached end panels may also be used, (e.g. between a washer & dryer), if the lateral (**side to side**) movement of mounting guide can be prevented.
- (2) - For smooth operation of the step unit, finished floor height must be the same height under the cabinets as the rest of the room.
- (3) - Installation instructions assume countertops to be installed after step unit installation.

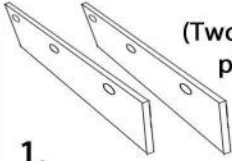
PATENTS GRANTED
 US11131141B2
 EP3432764B1
 CN109561760B

Attaching Mounting Guide: Base Cabinet To Base Cabinet/End Panel:

For European Style Cabinets, Continue To Step 2

Note: Follow Step 1 For Face Frame "Overlay or Insets" Constructed Cabinets Only,

If your cabinets have a face frame overhang (where the face frame extends past the cabinet's exterior side panel), an additional spacer/shim will be needed. The spacer/shim aligns and supports installation of the mounting guide.

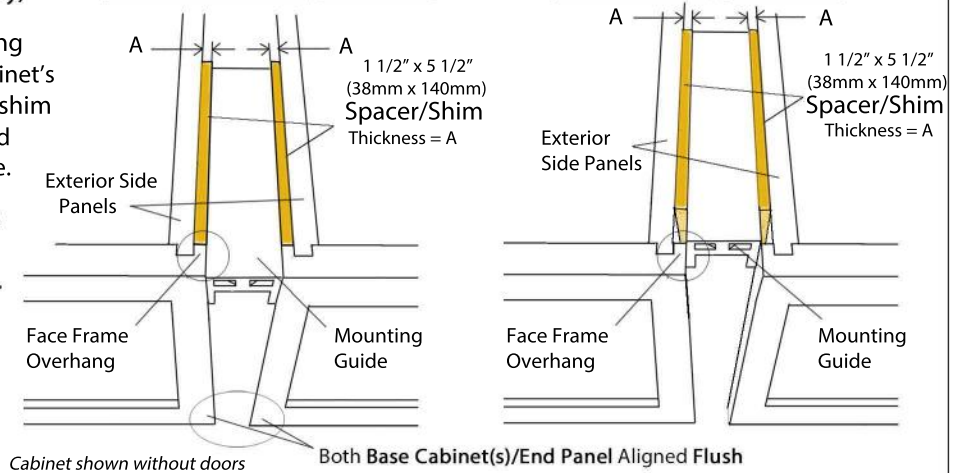


(Two) 3/16" (4.8mm) thick plastic spacer/shims are provided.

- Use the provided spacer/shim OR cut spacer/shim to recommended size by measuring face frame overhang thickness A (see box below).

MOUNTING GUIDE SHIM PLACEMENT

"OVERLAY DOOR" Type Cabinet OR "INSET DOOR" Type Cabinet



Note: Custom Cut Spacer/Shim May Be Needed Depending On Face Frame Overhang Dimension (A). It Should Be Sized To Support The Entire Side(s) Of The Mounting Guide.

Recommended Material: Wood **Number of shims:** 2
Recommended Size: 1 1/2" (38mm) x 5 1/2" (140mm) x Thickness A

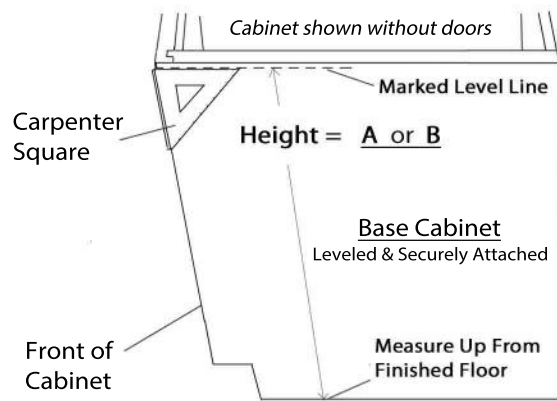
Note: The Following Instructions Are Not Dependent On The Orientation Of The Cabinets Shown In The Diagrams.

- Install, level and securely attach 1st cabinet to which the mounting guide will be attached. Determine what height Step 180 LITE model you have:

(This number determines the installation height of the mounting guide.)

A **B**
 Height = 32" (813 mm) or 33 7/8" (860 mm)

Mark a level line along the side of the cabinet at the Height = A or B above the finished floor.



Note: The Mounting Guide Has Multiple Mounting Holes For Different Mounting Options. (see Alternative mounting guide Installation PG. 3)

Note: Modification Or Removal Of The Cabinet Corner Bracket/ Countertop Support May Be Needed If They Are Obstructing The Mounting Guide's Hole Locations.

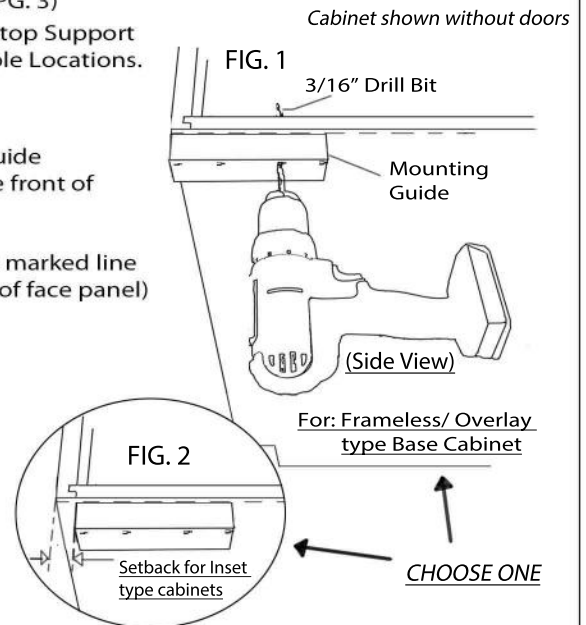
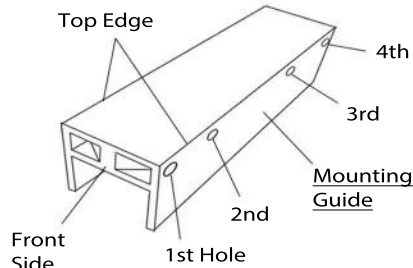
- Choose the cabinet type that best fits your installation:

Frameless/ Overlay Cabinets - hold the top edge of the mounting guide on the marked line and align the front of the mounting guide with the front of the cabinet frame. (FIG. 1)

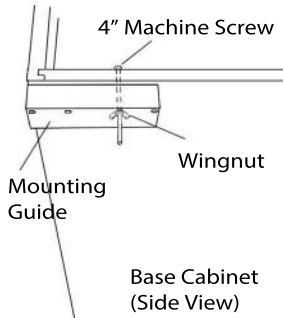
Or

Full-inset Cabinets - hold the top edge of the mounting guide on the marked line and align the front of the mounting guide 3/4" back (i.e. the thickness of face panel) from the front edge of cabinet frame (FIG. 2)

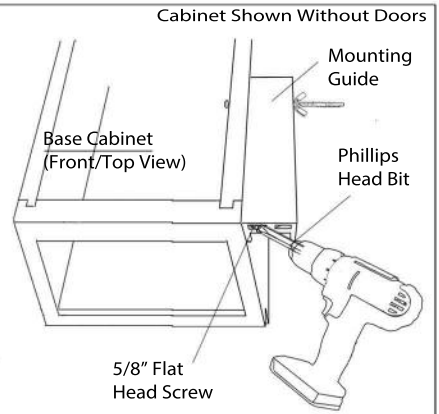
- Using a 3/16" bit, insert the drill bit through the 3rd mounting hole on the side of the mounting guide. Align the drill bit to go through the adjacent hole on the other side of the mounting guide and continue to drill through the side of the cabinet.



5. In order to keep the mounting guide aligned for the next step, temporarily insert a 4" machine screw through both the inside of the base cabinet and through the 3rd side holes of the mounting guide. Screw wingnut onto machine screw and hand tighten.



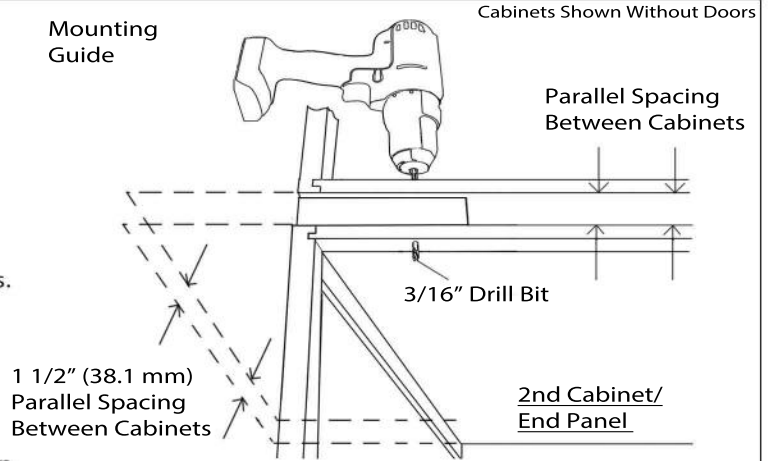
6. Secure the front of the mounting guide to the cabinet: While keeping the top edge of the mounting guide level along the marked line, screw a 5/8" flat head screw (provided) through the 1st angled hole of the mounting guide and into the cabinet.



7. Unscrew wingnut and remove 4" (102mm) machine screw in order to install 2nd cabinet (or end panel).

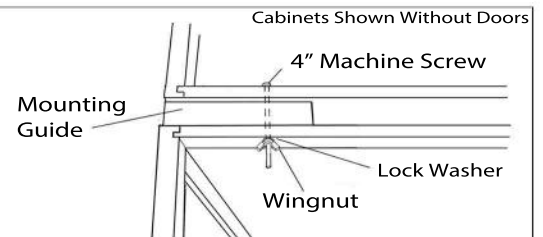
8. Install, level, and secure 2nd cabinet/endpanel flush against adjacent side of mounting guide, making sure of a consistent 1 1/2" (38.1 mm) parallel vertical space between the two cabinets face frames. Check for parallel horizontal spacing between the two cabinets face frames as well.

9. While securing the mounting guide re-insert the 3/16" drill bit into the same 3rd hole and drill through the 2nd cabinet in the opposite direction.



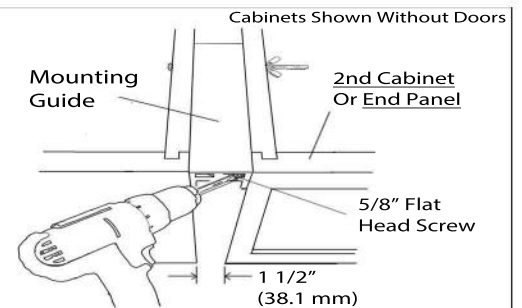
10. Insert the 4" (102mm) machine screw again through the same 3rd hole, all the way through the 1st cabinet, mounting guide and 2nd cabinet. Add the lock washer onto the bolt and screw and tighten the provided wingnut onto the 4" (102mm) machine screw.

Warning: Do not over tighten the wingnut. Over tightening the wingnut may compress the mounting guide causing it to pinch and squeeze against the top rail when operating the step unit.



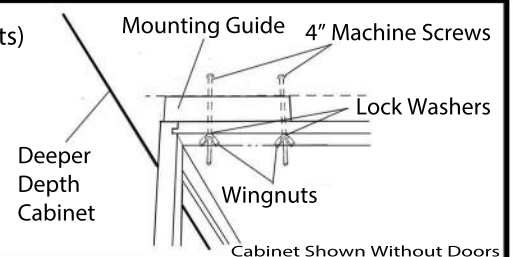
11. Screw a 5/8" flat head screw (provided) through the other 1st hole on the opposite side of the Mounting Guide and secure the Mounting Guide to the front of the 2nd cabinet.

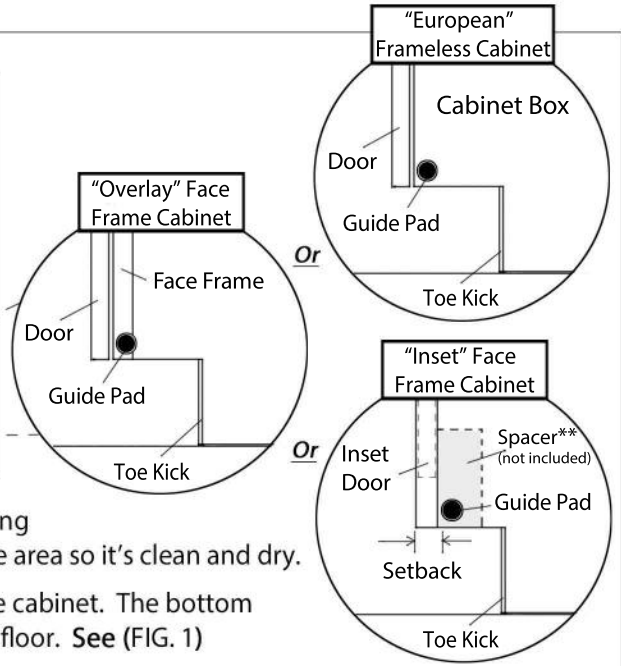
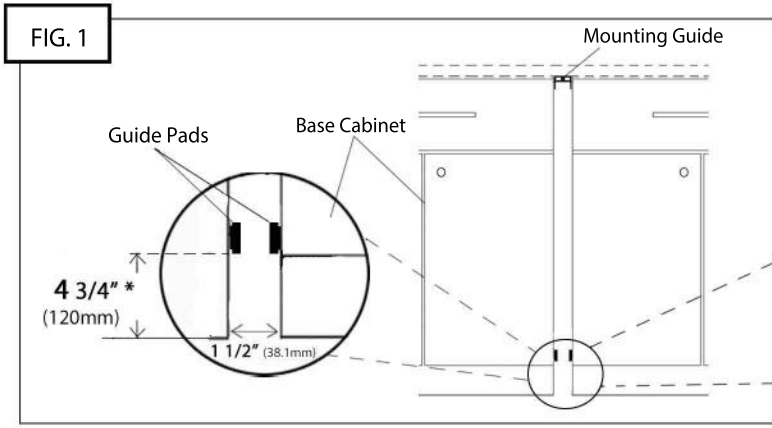
Double check for a consistent 1 1/2" (38.1mm) vertical spacing between the two cabinets or cabinet and end panel.



Alternative Mounting Guide Installation (Ex. Different Depth Cabinets)

If access to installing either or both screws in step 11 is difficult, two 4" (102 mm) machine screws can be used for installing the mounting guide to the cabinets. Follow steps 1 through 10 by using the 2nd and 4th side holes of the mounting guide instead of the 3rd side hole. Do not over tighten wingnuts.





1. Locate the area where the Guide Pads will be installed depending on Cabinet type. See 3 options (to the right) and wipe down the area so it's clean and dry.
2. The guide pads are mounted on the exterior, side surface of the cabinet. The bottom of the guide pads mount at 4 3/4" (120mm) above the finished floor. See (FIG. 1)
3. **Overlay/European Cabinets:** Position the Guide Pads so that they are **flush** with the front edge of the cabinet box.
For **Inset type cabinets:** Setback the Guide Pad by the thickness of the Face Frame or Face panel (typically 3/4" (19mm))
** If needed, add shim/spacer behind face frame overhang to keep consistent 1 1/2" spacing between cabinets before attaching pads.
4. Remove the paper back of the sticky end of the guide pads and attach firmly to the sides of each cabinet/endpanel or added spacer.

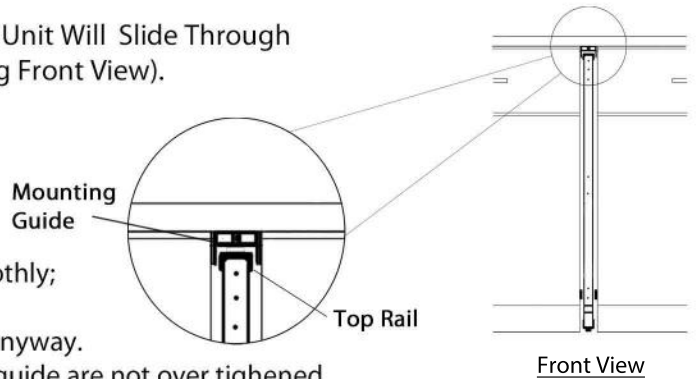
Installing/Removing Step 180:

Caution: The step unit uses a magnetic latch. When lifting or handling, extra care is needed to prevent unintentional release of the steps.

Note: In The Following Steps The Top Rail Of The Step Unit Will Slide Through The Channel Of The Mounting Guide (Diagram Showing Front View).

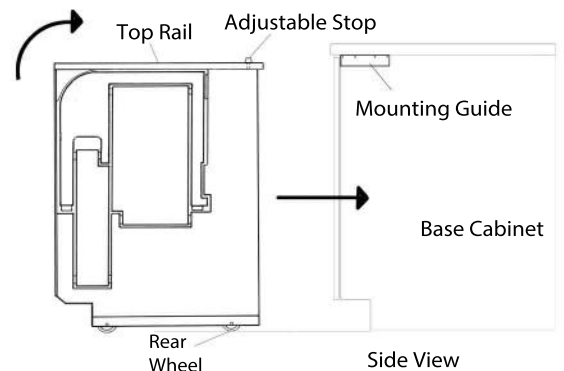
Important: Test the sliding action of the step unit: make sure there are no problems with the installation of the mounting guide before countertops are installed.

The step unit should slide easily in and out of the mounting guide. If the step unit has trouble sliding smoothly;



1. Check the mounting guide is not tilted or askew in anyway.
2. Check the mounting bolt(s) securing the mounting guide are not over tightened.
3. Check the parallel vertical spacing between the (2) adjacent cabinets, from top to bottom is, 1 1/2" (38.1mm).

1. Carefully position the step unit in front of the cabinet opening. Align the step unit to slide into the opening.
2. Pivot the step unit back onto its rear wheel, allowing the top rear corner of the step unit low enough for the Adjustable Stop to clear the lower portion of the mounting guide.



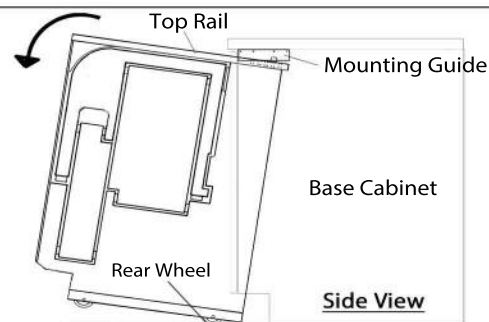
Continue On Next Page....

Installing/Removing Step 180:

3. Carefully slide the complete step unit back until the top rail slides into the mounting guide and the Adjustable Stop travels past the bottom of the mounting guide block.

(See diagram in Step 5)

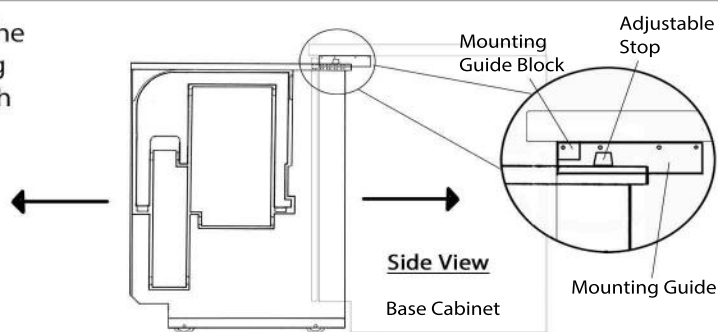
4. Pivot the step unit back down and guide the step unit into the space between the cabinets.



5. Once both wheels are on the ground, with the Adjustable Stop positioned behind the mounting guide, the step unit can be moved back and forth within the space between the cabinets.

Note: Adjustable Stop **MUST** be behind the mounting guide block for correct installation and before use of the step unit.

Removal: Reverse Order Of (Steps 1-5).



Installing The Face panel: (Not Included)

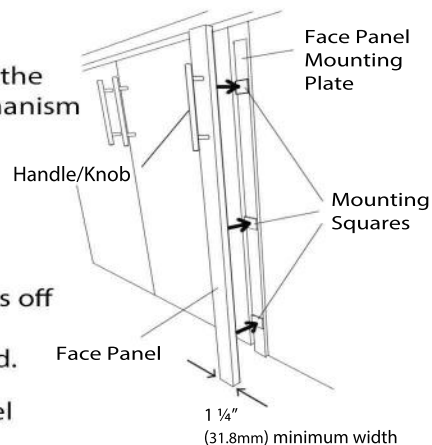
Note: Face panel strip should be cut-to-size and at least 1 1/4" (31.8mm) wide. The general height should extend from the top of the toe kick up to the countertop, matching the adjacent cabinet face panels.

-FOR optional Touch-to-Open feature, the backside of the top of the Face Panel must engage the front tip of the Touch-to-open mechanism

1. If applicable, Measure and drill location for attaching cabinet handle/knob (not included) Countersinking the backside handle/knob screw(s) is recommended to allow for the face panel to fit flush against the face panel mounting plate.

2. On the front of the face panel mounting plate, peel paper backs off the top and bottom sticky mounting squares. The middle mounting square paper can remain unused, in case a second attempt is needed.

3. Align the face panel in the desired location and press face panel onto the face panel mounting plate, sticking the two together.

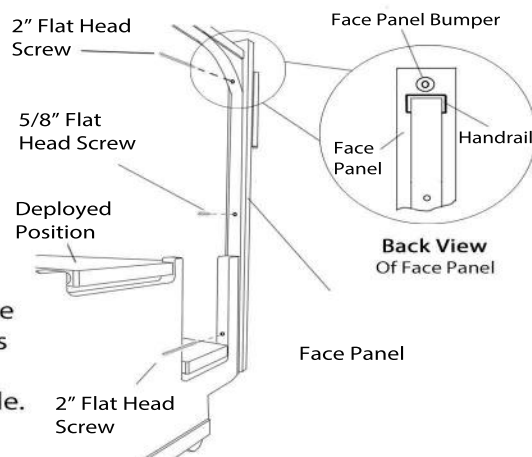


4. With the step unit in the deployed position (shown), secure the face panel to the mounting plate using the following screws (included): (Pre-drill holes if necessary)

- One 2" (51mm) Flat Head Screw (Top Hole).
- One 5/8" (15.9mm) Flat Head Screw (Middle Hole).
- One 2" (51mm) Flat Head Screw (Bottom Hole).

Note: Angled Access To The Bottom 2" Screw Is Easier With A "Long" Phillips Head Bit Or Screwdriver.

5. An (optional) face panel bumper is provided. Attach the bumper on the top portion of the back side of the step unit's face panel. Align so that when in the closed position, the bumper contacts the front flat portion of the mounting guide. **Bumper not needed if using Touch-to-Open option.**



Adjustable Face Panel for Unlevel Floors:

1.

With the step unit installed and stored between the cabinets, determine if the face panel needs to be adjusted to align flush with the adjacent cabinets.

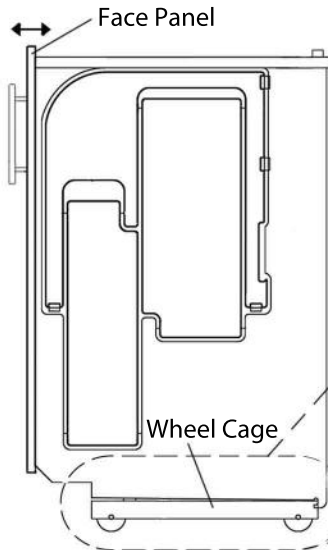
NOTE:

The face panel angle is adjusted by changing the angle of the wheel cage

4 spacers are provided to adjust the angle of the step unit's face panel if needed.



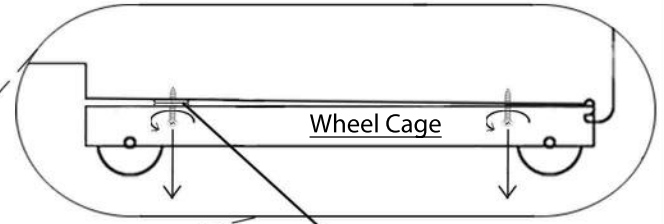
2 of the 4 spacers are in with the parts hardware.



2.

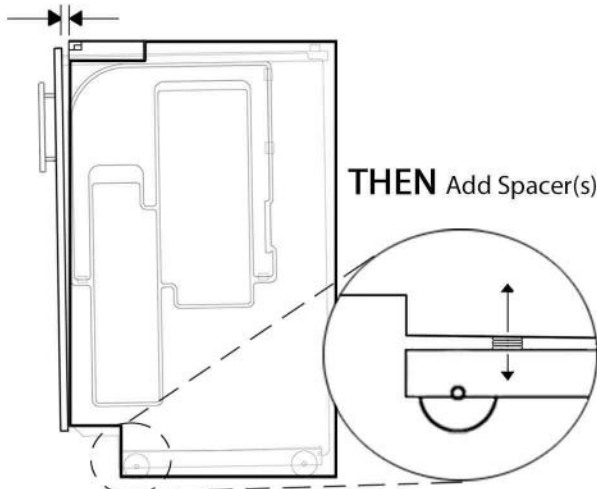
If the angle of the face panel needs to be adjusted, the wheel cage can be removed by unscrewing the 2 phillips head screws from the bottom of the step unit.

Note: For each spacer added, adjust the face panel in 1/8" (3mm) increments for a maximum adjustable fore/aft range of 1/2" (12mm).



Note: 2 Of The 4 Spacers Come Attached For Level Installations.

IF Gap Is At The Top



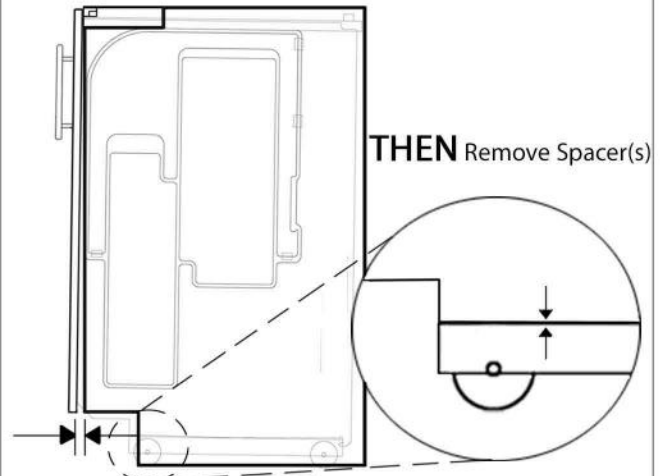
THEN Add Spacer(s)

3.

If there is a gap between the **TOP** of the step units's face panel and the adjacent cabinets, raise the front of the step unit by **adding** 1 or 2 spacers

- 1 spacer will close gap by 1/8" (3mm)
- 2 spacers will close gap by 1/4" (6mm)

IF Gap Is At The Bottom



THEN Remove Spacer(s)

OR

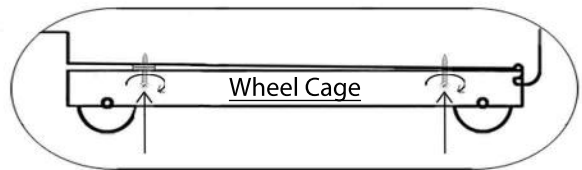
3.

If there is a gap between the **BOTTOM** of the step units's face panel and the adjacent cabinets, lower the front of the step unit by **removing** 1 or 2 spacers

- 1 spacer will close gap by 1/8" (3mm)
- 2 spacers will close gap by 1/4" (6mm)

4.

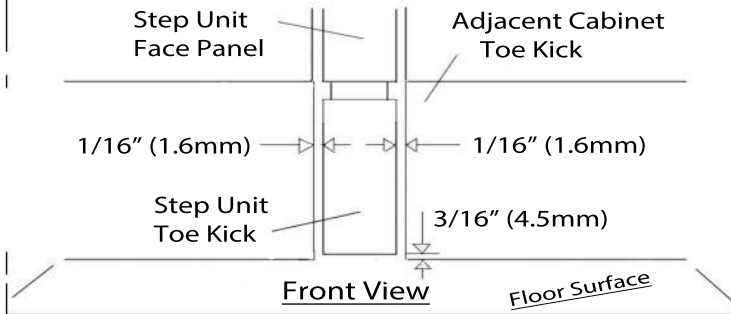
After adding or removing spacers, re-attach the wheel cage and carefully align screws and insert them into the same existing holes as shown. Tighten the 2 screws.



Note: If more of an adjustment range of the face panel is needed to align with the adjacent cabinet face panels shims may be added between the face panel and the front side of the step unit. (Shims not included)

Guidelines:

- The following instructions are meant to be followed before toe kick material is installed on adjacent cabinetry.
- Use the same toe kick material as the adjacent cabinet toe kicks.
- Recommended minimum clearance of 1/16" (1.6mm) between either side of the step unit's toe kick and the adjacent cabinet toe kicks.
- Recommended minimum clearance of 3/16" (4.5mm) between the bottom of the toe kick and the floor.
- Beveling the backsides of the step unit's toe kick can help avoid any binding with the adjacent cabinet toe kicks.



1. Slide the step unit into the fully stored position.
2. Position toe kick extension in the precise cutout of the Step Unit.
3. Mark a vertical line on the toe kick extension, flush along where the backside of the toe kick would be. Use the adjacent cabinet as a guide. (Fig. 1)
4. Use this measurement to cut the toe kick extension to size.

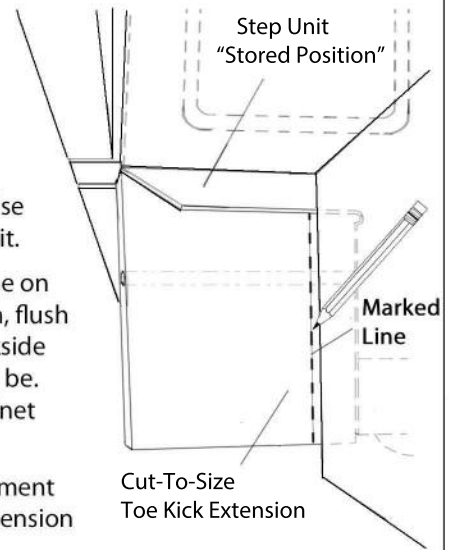
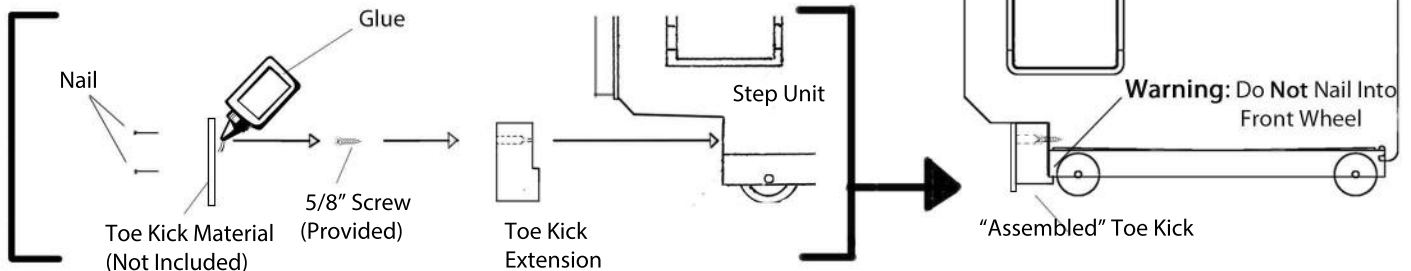


Fig. 1

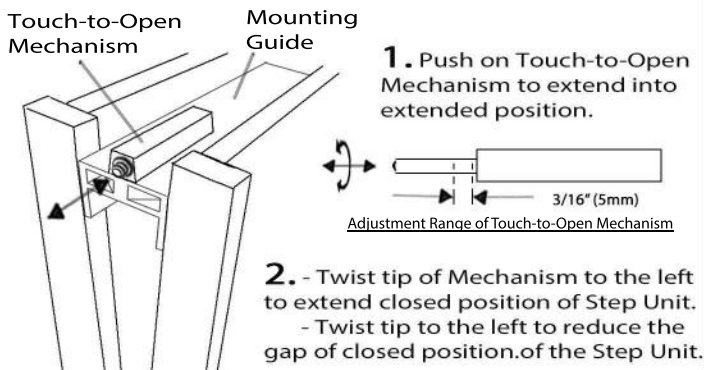
5. Attach the toe kick extension using a 5/8" flat head screw provided (Clamping toe kick extension to step unit can help alignment while attaching screw).
6. Align the toe kick using the guidelines at the bottom of the page, then glue the backside of the toe kick and tape or nail it to the toe kick extension.

Warning: Be aware of the step unit's front wheel location and other screw locations when nailing, especially if toe kick extension has been shortened.



Adjusting (OPTIONAL) Touch-to-Open

NOTE: Gap adjustment allows tip of Touch-to-Open Mechanism a range of adjustment of 3/16" (5mm).



WARRANTY - STEP 180 LITE Units

What The Warranty Covers

Our Limited Warranty Guarantees Our Products To Be Free From Defects In Material And Craftsmanship. Any Concerns With The Step 180 Should Be Addressed Immediately.

Warranty Period

The Limited Warranty Coverage Is One Year From Date Of Purchase.

What Hideaway Solutions Will Do To Correct Problems

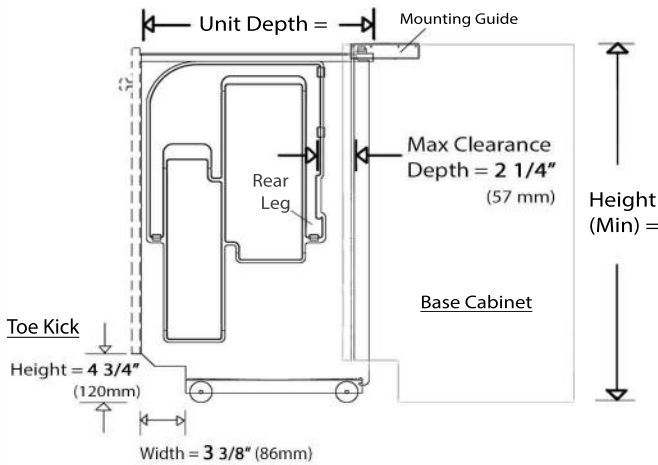
In The Event Of Manufacturing Defects, Hideaway Solutions Will Repair Or Replace The Step Unit.

What The Warranty Does Not Cover

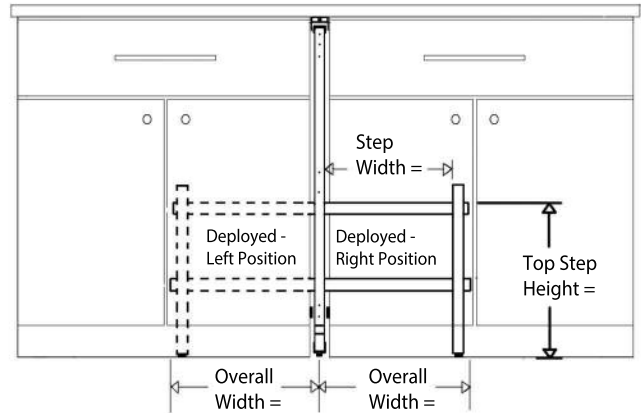
- We Do Not Cover
- Damage In Transit
 - Failure To follow Installation Guide Correctly (Included With Step Unit)
 - Wear And Tear On Original Wood Finish
 - Inadequate Care, Abuse, Misuse Or Abnormal Use
 - Accidents Due To Improper Use Of Product
 - Damage Due To Environmental Or Natural Elements (Flood or Fire, etc.)
 - Failure To Follow User Guide (Included With Step Unit)

STEP 180 LITE - SPECIFICATIONS

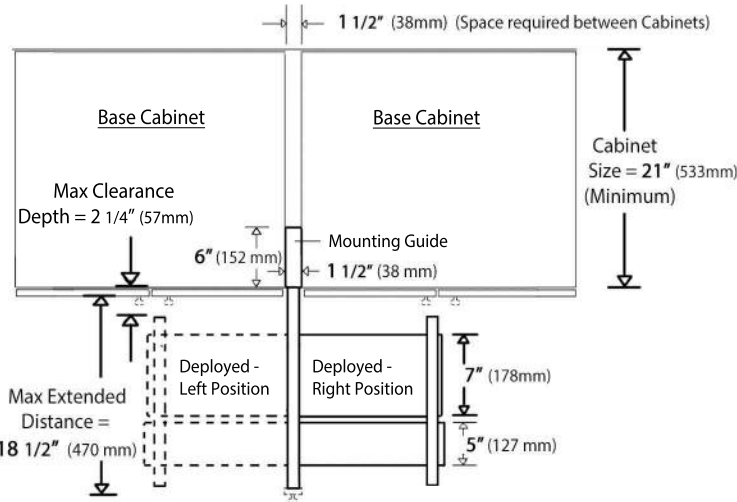
SIDE VIEW - Extended Closed Position



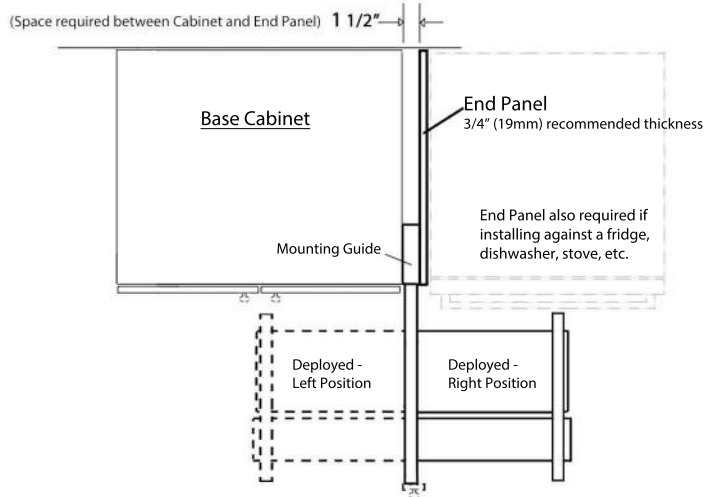
FRONT VIEW - Extended And Deployed Positions



TOP VIEW - Mounted Between Base Cabinet & 2nd Base Cabinet



TOP VIEW - Mounted Between Base Cabinet & End Panel



STEP 180 LITE

Cabinet Size (Depth)
(Generally Designed For):

Cabinet Space requirements:

Width (between cabinets) _____
Height (Minimum) _____
Unit Depth _____

Step Units Deployed Clearances:

Max Clearance Depth (From Cabinet Frame) _____
Max Extended Distance (From Cabinet Frame) _____
Overall Width (From Center Of Unit) _____

Step Dimensions:

Step Width (Usable) _____
Top Step Depth _____
Top Step Height _____

Toe Kick (Height x Depth)

Weight (Step Unit) _____
Weight Limit (Duty Rating) _____
Country of Origin _____

34" (860 mm) tall models

21" (533mm)
(US Bath & Intl Kitchens)

1 1/2" (38 mm)
33 7/8" (860 mm) or (34 1/2" (876 mm) w/ Touch-to-Open option)
20 7/8" (530 mm)

2 1/4" (57 mm)
18 1/2" (470 mm)
16" (406 mm)

14 1/4" (362 mm)
7" (178 mm)
14 1/2" (368 mm)

4 3/4" (120 mm)
x 3 3/8" (86 mm)

16 lbs (7.3 kg)
200 lbs (90.7 kg)

32" (813 mm) tall models

21" (533mm)
(US Bath & Intl Kitchens)

1 1/2" (38 mm)
32" (813 mm) or (32 5/8" (828 mm) w/ Touch-to-Open)
20 7/8" (530 mm)

2 1/4" (57 mm)
18 1/2" (470 mm)
15" (381 mm)

13 1/4" (337 mm)
7" (178 mm)
13 3/4" (349 mm)

4 3/4" (120 mm)
x 3 3/8" (86 mm)

15 lbs (6.8 kg)
200 lbs (90.7 kg)

Designed and Manufactured in the USA

Does Not Include Toe Kick, Face Panel, Pull Handle Or Cabinets



Contact Us:

Hideaway Solutions, LLC
245 Franklin St
Bristol, RI 02809

www.hideawaysolutions.com
Phone 401-420-2042

WARRANTY - The Limited Warranty Coverage Is One Year From Date Of Purchase. (see page 7 for details)