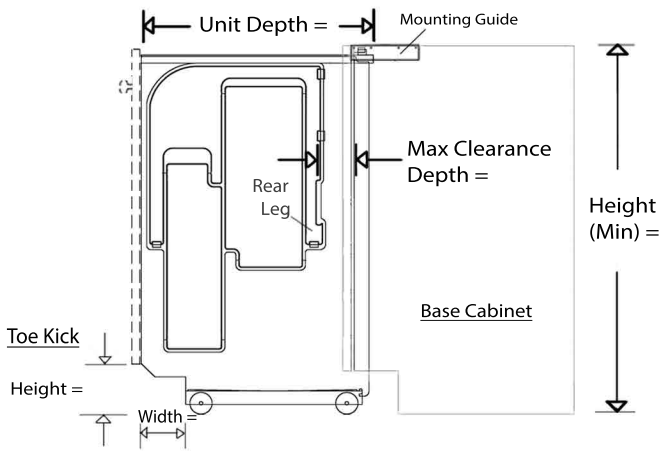
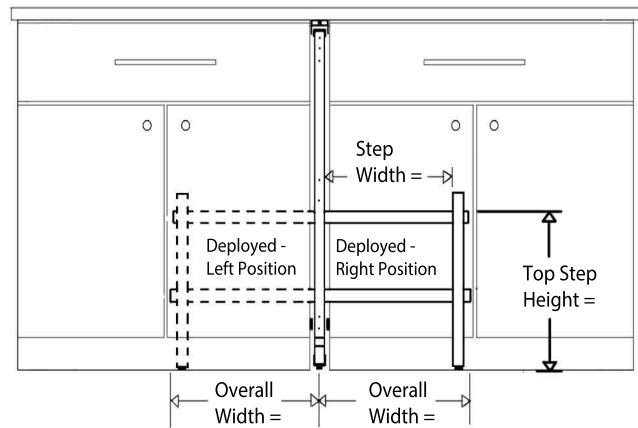


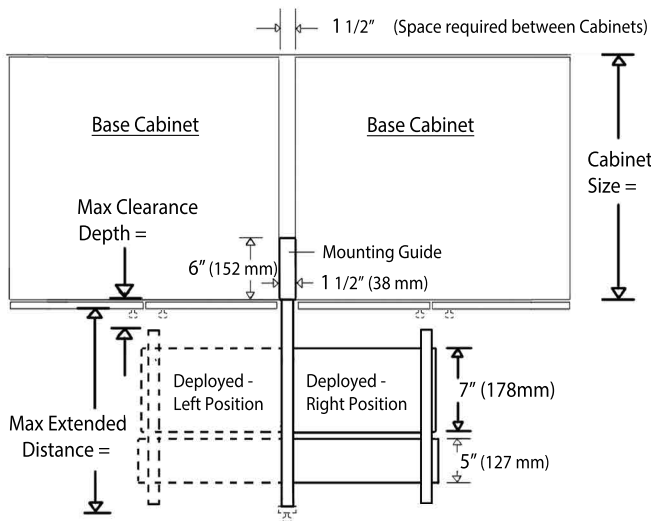
SIDE VIEW - Extended Closed Position



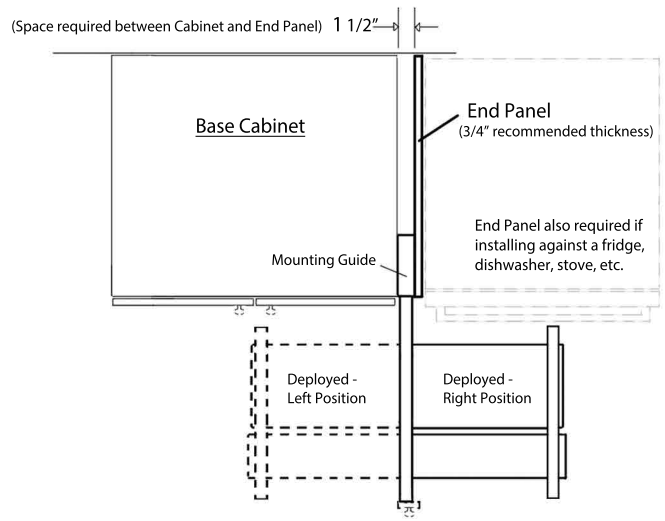
FRONT VIEW - Extended And Deployed Positions



TOP VIEW - Mounted Between Base Cabinet & 2nd Base Cabinet



TOP VIEW - Mounted Between Base Cabinet & End Panel



STEP 180 DUO

Cabinet Size (Depth)
(Generally Designed For):

Cabinet Space requirements:

Width (between cabinets) _____

Height (Minimum) _____

(Height w/ Touch-to-Open option)

Unit Depth _____

Step Units Deployed Clearances:

Max Clearance Depth* (From Cabinet Frame)

*subtract door thickness for overlay style doors

Max Extended Distance (From Cabinet)

Overall Width (From Center Of Unit)

Step Width (Usable) _____

Top Step Depth _____

Top Step Height _____

Toe Kick (Height
x Depth)

Weight (Step Unit) _____

Weight Limit (Duty Rating) _____

Country of Origin _____

For 34" (860 mm) tall cabinets

21" (US Bath & Intl Kitchens)	22" (Australian & Intl Kitchen)	23" (US Kitchen Inset or Overlay Door type)	26" (Fridge Depth Cabinet "Max Clearance")
1 1/2" (38 mm)			
33 5/8" (854 mm)			
(34 1/4" (870 mm))			
20 7/8" (530 mm)	21 3/4" (553 mm)	23" (584 mm)	26" (660 mm)
1 1/2" (38 mm)	2 3/8" (60 mm)	3 1/2" (89 mm)	5 7/8" (149 mm)
18 1/2" (470 mm)	19 7/8" (505 mm)	20 7/8" (530 mm)	23 1/4" (590 mm)
16" (406 mm)			
14 1/4" (362 mm)			
7" (178 mm)			
14 3/8" (365 mm)			
4 1/2" (114 mm) x 3" (76 mm)	5 3/4" (146 mm) x 2 1/2" (64 mm)	4 1/2" (114 mm) x 3 5/8" (92 mm)	4 1/2" (114 mm) x 3 5/8" (92 mm)
16 lbs (7.3 kg)	17 lbs (7.7 kg)	19 lbs (8.6 kg)	20 lbs (9.1 kg)
200 lbs (90.7 kg)			

For 32" (813 mm) tall cabinets

21" (US Bath & Intl Kitchens)	23" (ADA Kitchen Inset or Overlay Door type)
1 1/2" (38 mm)	
31 1/4" (794 mm)	
(31 7/8" (810 mm))	
20 7/8" (530 mm)	23" (584 mm)
1 1/2" (38 mm)	3 1/2" (89 mm)
18 1/2" (470 mm)	20 7/8" (530 mm)
15" (381 mm)	
13 1/4" (337 mm)	
7" (178 mm)	
13 1/4" (337 mm)	
4 1/2" (114 mm) x 3 5/8" (92 mm)	4 1/2" (114 mm) x 3 5/8" (92 mm)
15 lbs (6.8 kg)	17 lbs (7.7 kg)
200 lbs (90.7 kg)	

Designed and Manufactured in the USA

Does Not Include Toe Kick, Face Panel, Pull Handle Or Cabinets

WARRANTY

What The Warranty Covers

Our Limited Warranty Guarantees Our Products To Be Free From Defects In Material And Craftsmanship. Any Concerns With The Step 180 Should Be Addressed Immediately.

Warranty Period

The Limited Warranty Coverage Is Two Years From Date Of Purchase.

What Hideaway Solutions Does To Correct Problems

In The Event Of Manufacturing Defects, Hideaway Solutions Will Repair Or Replace The Step Unit.

What The Warranty Does Not Cover

- Damage In Transit
- Failure To follow Installation Guide Correctly (Included With Step Unit)
- Wear And Tear On Original Wood Finish
- Inadequate Care, Abuse, Misuse Or Abnormal Use
- Accidents Due To Improper Use Of Product
- Damage Due To Environmental Or Natural Elements (Flood or Fire, etc.)
- Failure To Follow User Guide (Included With Step Unit)

