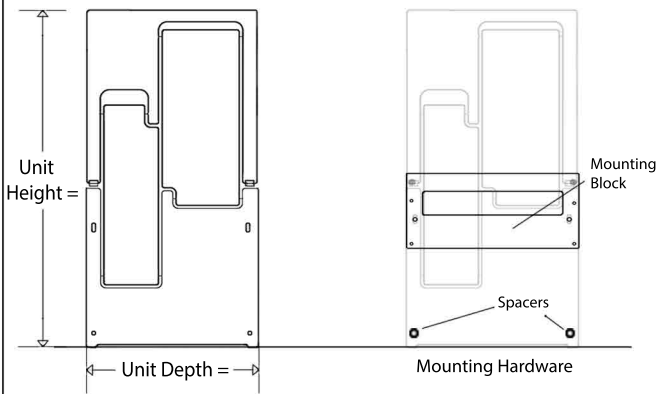


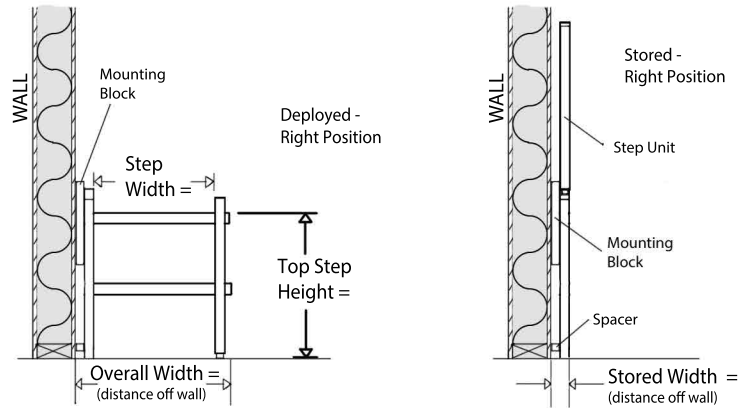
# STEP 180 NOOK - SPECIFICATIONS

MODEL SIZE: Height:  32" (813 mm) Depth:  15 9/16" (395 mm)

## SIDE VIEW - Closed Position



## FRONT VIEW - Deployed and Stored Positions

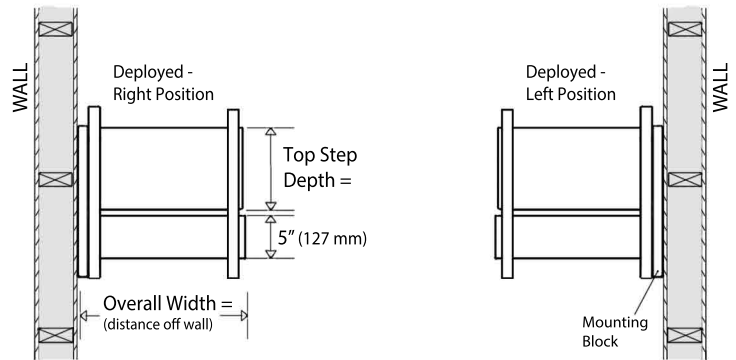


## STEP 180 NOOK Dimensions

### Unit Dimensions:

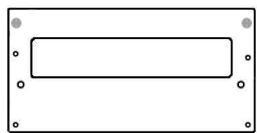
Height	31 3/4" (807 mm)
Unit Depth	15 9/16" (395 mm)
Stored Width (Stored Distance Off Wall)	2" (51 mm)
Overall Width (deployed)	17 1/4" (438 mm)
Step Width (Usable)	14 1/4" (362 mm)
Top Step Height	14 3/8" (365 mm)
Top Step Depth	7" (178mm)
Weight (Step Unit)	12 lbs (5.4 kg)
Weight Limit (Duty Rating)	200 lbs (90.7 kg)
Country of Origin	Designed and Manufactured in the USA

## TOP VIEW - Mount on Right side or Left side of wall

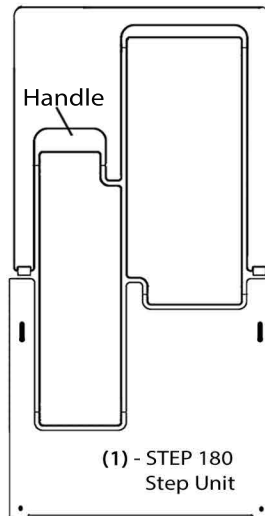


**⚠** Take care handling STEP UNIT before it's attached to a stationary object. STEP UNIT can unfold in unpredictable ways, if the magnetic latch releases.

### Parts:



(1) - Mounting Block (mount)



(1) - STEP 180 Step Unit

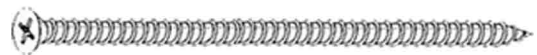
### Tools Needed:

- Pencil                      3/16" Drill bit --
- Drill                        1/4" Drill bit --
- Tape Measure              Level --
- #2 Phillips head bit
- 3/8" or countersink drill bit

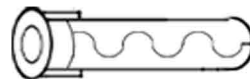


x2  
1 3/4" (45 mm) Machine Screws

**Hardware:**  
(Actual Size)



x8  
2 1/2" (64 mm) Screw



x4  
Drywall Anchor



x2  
Bumpers



x8  
1/4" (6.4 mm) Spacers



x4  
1/16" (1.6 mm) Spacers